

THE COMPLETE ZDC0024A SIZE 2-4 ADJUSTABLE DOOR CLOSER RANGE



Silver Effect
ZDC0024A-SE

Satin Nickel
ZDC0024A-SN

Polished Nickel
ZDC0024A-PN

Satin Stainless Steel
ZDC0024A-SSS

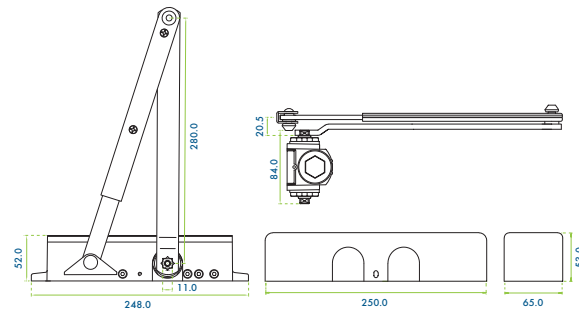


Polished Brass
ZDC0024A-PB

Satin Brass
ZDC0024A-SB

Antique Brass
ZDC0024A-AB

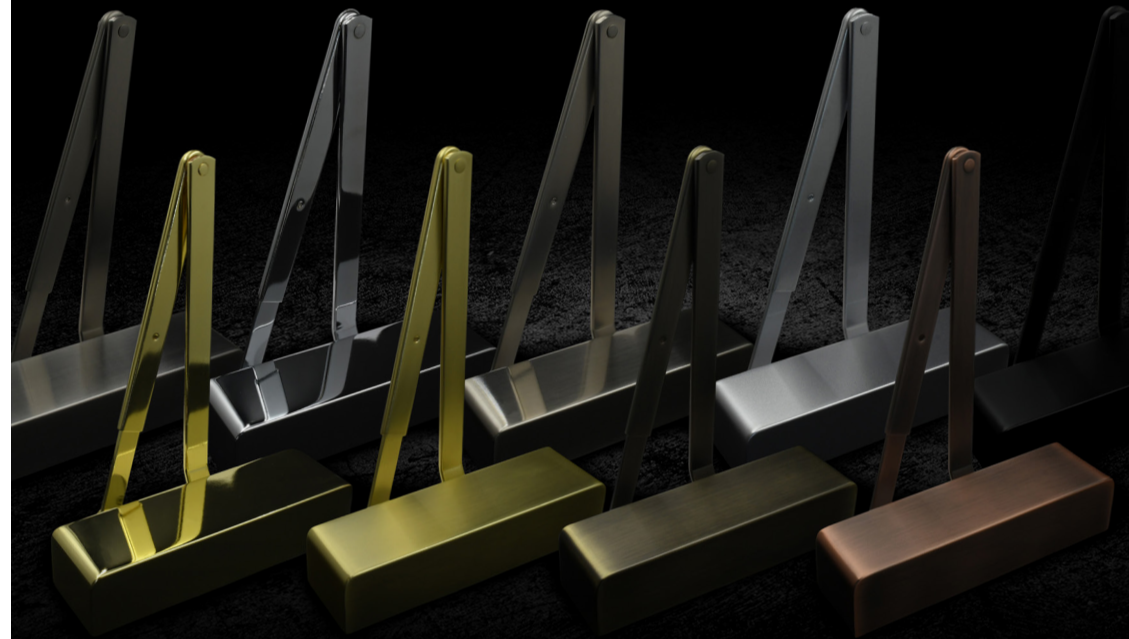
Bronze
ZDC0024A-BZ



Black
ZDC0024A-BLK

CODE	DESCRIPTION	FINISH
ZDC0024A-SE	Overhead door closer, power adjustable 2-4, c/w semi-radiused cover	Silver Effect
ZDC0024A-SN	Overhead door closer, power adjustable 2-4, c/w semi-radiused cover	Satin Nickel
ZDC0024A-PN	Overhead door closer, power adjustable 2-4, c/w semi-radiused cover	Polished Nickel
ZDC0024A-PB	Overhead door closer, power adjustable 2-4, c/w semi-radiused cover	Polished Brass
ZDC0024A-SSS	Overhead door closer, power adjustable 2-4, c/w semi-radiused cover	Satin Stainless Steel
ZDC0024A-BLK	Overhead door closer, power adjustable 2-4, c/w semi-radiused cover	Black
ZDC0024A-SB	Overhead door closer, power adjustable 2-4, c/w semi-radiused cover	Satin Brass
ZDC0024A-AB	Overhead door closer, power adjustable 2-4, c/w semi-radiused cover	Antique Brass
ZDC0024A-BZ	Overhead door closer, power adjustable 2-4, c/w semi-radiused cover	Bronze

	<p>For more information please contact us today: ERA Home Security T/A Zoo Hardware, Unit B, Dukes Drive, Kingmoor Park North, Carlisle, Cumbria CA6 4SH</p> <p>Call: 01228 672900 Fax: 01228 672928 Email: sales@zoo-hardware.co.uk Web: www.zoohardware.co.uk</p>	<p>SCAN TO VIEW THE RANGE</p>
	<p></p>	



SCAN TO VIEW
THE RANGE

Power.
Compliance.
Complete Finish.



When you need a door closer that ticks every box; performance, compliance, fire safety and aesthetics; our Size 2-4 Adjustable Door Closer delivers.

Designed for versatility and engineered for reassurance, it's the smarter choice for commercial, public and residential projects where standards matter.



1121-CPR-UK-AD7792



2812-CPR-AD7994



APPROVED
CF 6103

Fully Compliant. Fully Tested. Fully Covered.

This closer has been successfully tested in accordance with opening force recommendations within BS 8300 / Approved Document M – helping you meet accessibility requirements with confidence.

Even better? It's been tested and approved in all three fitting applications:

- Fig 1 - Door Mount Pull
- Fig 66 - Door Mount Push
- Fig 61 - Frame Mount Push

No guesswork. No limitations. Just reliable compliance across every common installation method.

And with backcheck tested in all three fitting positions, you get controlled opening protection as standard – helping prevent wall, frame and door damage in high-traffic environments.

Engineered for Performance.

- **Power Adjustable Size 2-4 (spring adjustable)**

• **Maximum door weight:**
80kg (Fig 1 & Fig 61)
60kg (Fig 66)

- **Maximum door width:**
1100mm (Fig 1 & Fig 61)
950mm (Fig 66)

- **Aluminium body**
- **Steel scissor arm**
- **Adjustable closing and latching speed**
- **Delayed action function (non-tested)**
- **Tested to BS EN 1154, ensuring dependable mechanical performance**



Fire Door Approved. Built for Protection.

SAFETY IS NON-NEGOTIABLE.

- **Successfully fire tested to BS EN 1634-1**
- **Suitable for 30, 60, 90 and 120-minute timber fire doors**
- **CERTIFIRE Approved (CF6103)**
- **UKCA & CE Marked**

When it comes to fire compliance, this closer is built to perform.

UK CA
1121-CPR-UK-AD7792

CE
2812-CPR-AD7994

certifire
APPROVED
CF 6103

Matching finishes to complete the door set.

We stock these closers in a range of popular architectural finishes – and more importantly, we supply all accompanying door hardware in matching finishes, including:

- **Hinges • Locks • Latches • Signage**
- **Pull handles • Door stops • Flush bolts**

That means you can specify a fully coordinated door set from one trusted source – clean lines, consistent finish, professional results.

